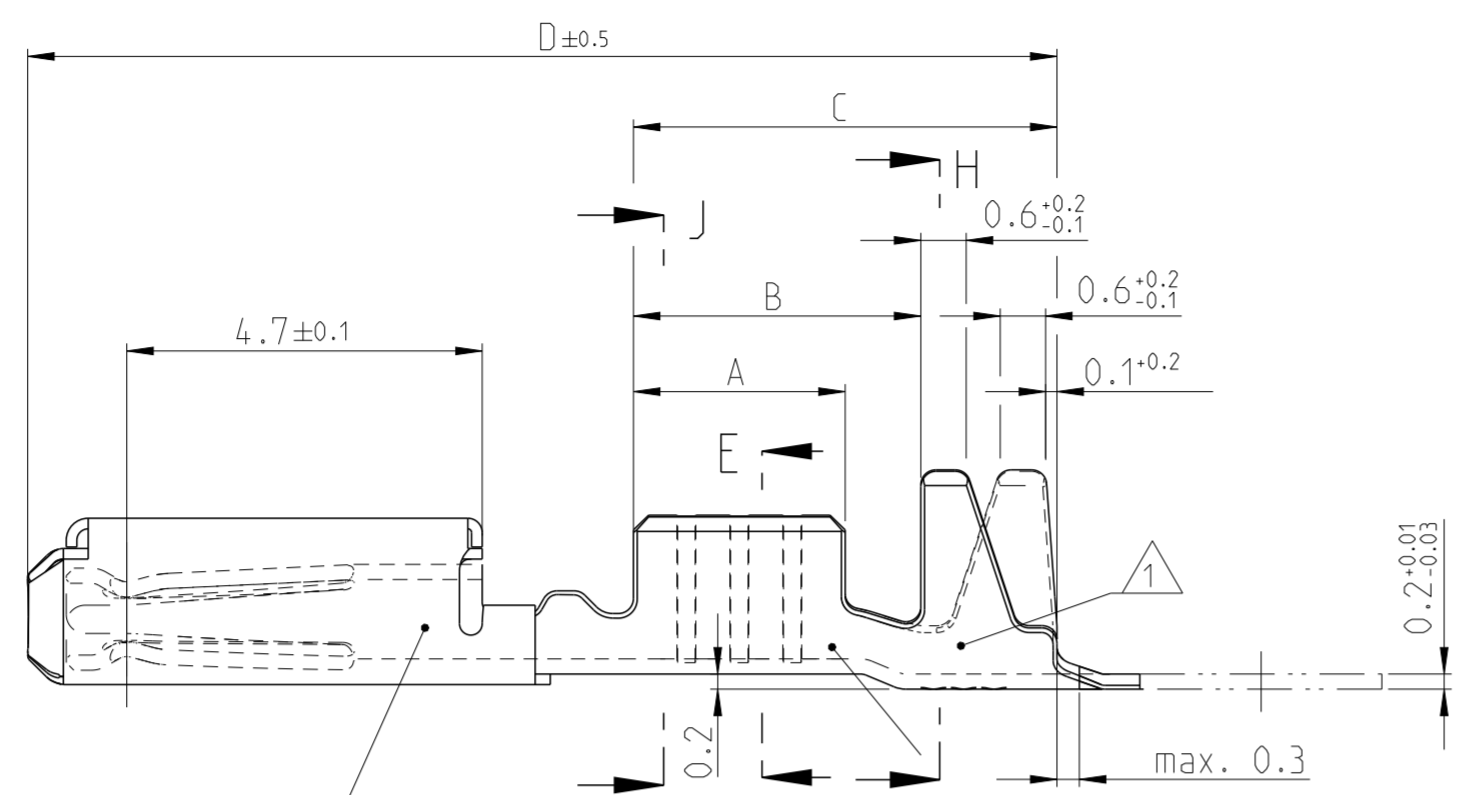
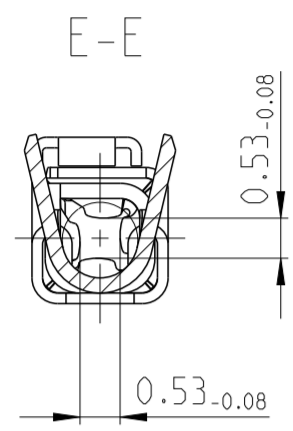


THIS DRAWING IS UNPUBLISHED. RELEASED FOR PUBLICATION 2009
 © COPYRIGHT 2009 ALL RIGHTS RESERVED.

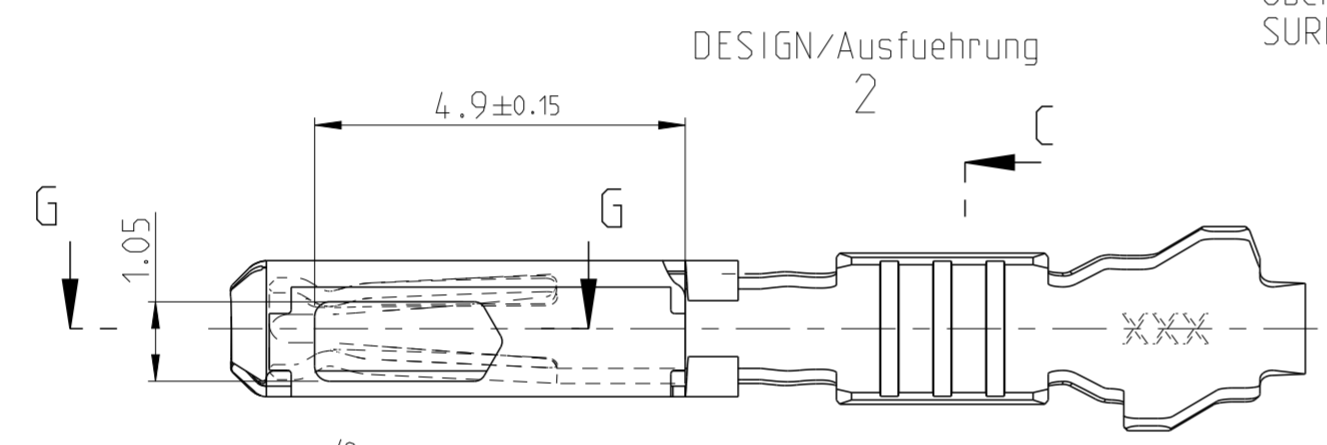
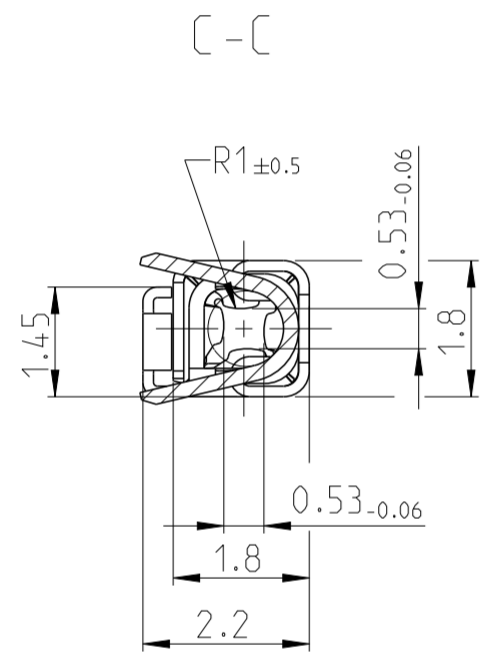
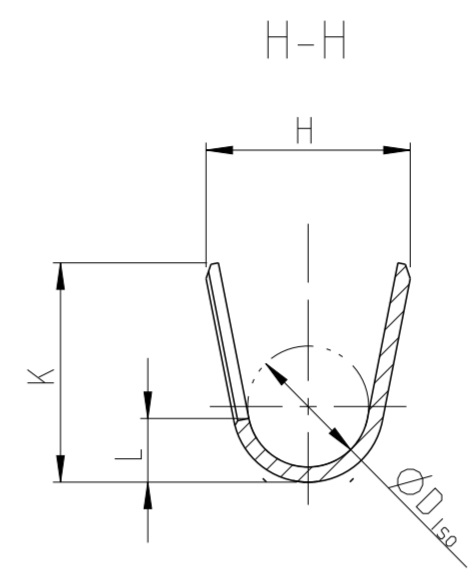
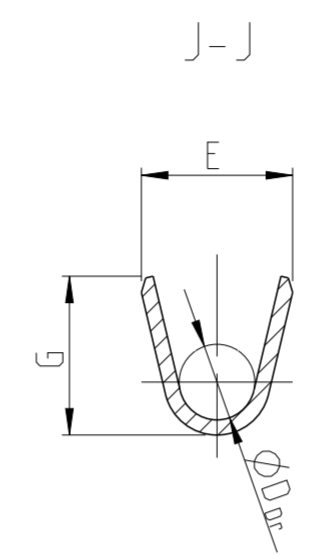
LOC		DIST		REVISIONS			
P	LTR	DESCRIPTION	DATE	DWN	APVD		
C7		ECR-12-016335	17SEP2012	Abr	Brun		
C8		ECR-12-017726	11OCT2012	Abr	Brun		
C9		ECR-13-015135	26SEP2013	Abr	Brun		
C10		NOTE 6 ADDED. ECR-15-007039	06MAY2015	Abr	Brun		

GOLD VERSION
Vergoldete Ausfuehrung

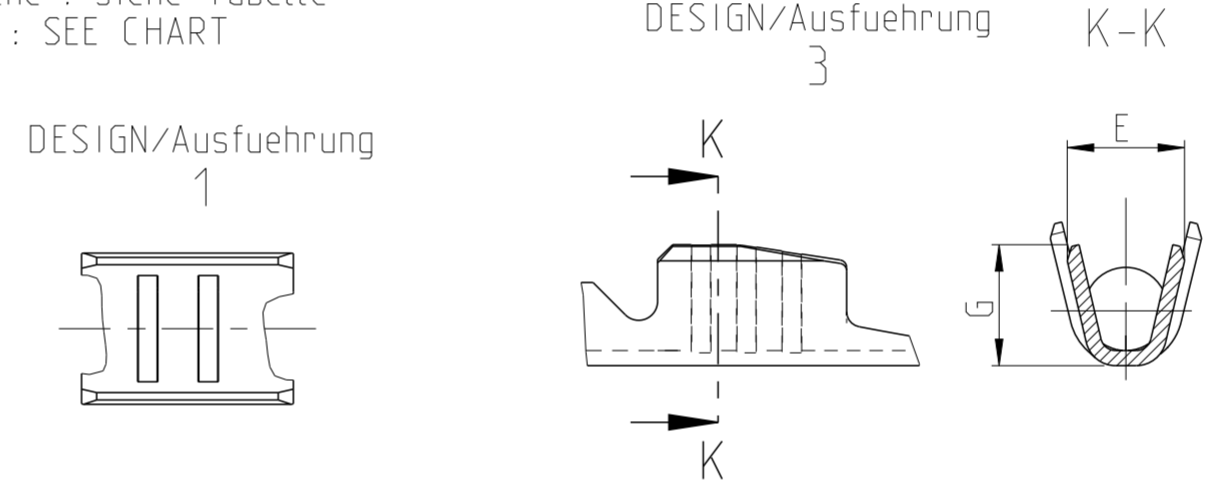


SPRING / Ueberfeder
MATERIAL : X10CrNi 188
SURFACE / Oberflaeche : blank

BODY / Kontaktkoerper
MATERIAL : CuNiSi F57
Oberflaeche : siehe Tabelle
SURFACE : SEE CHART

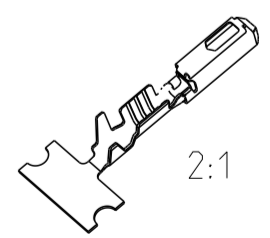
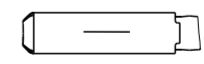
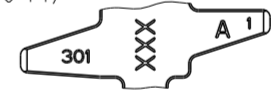


G-G
WITHOUT SPRING
ohne Ueberfeder



NOTES
Bemerkungen

- 1 DATE-CODE (WEK/YEAR (E.G. WEEK NUMBER 30/ YEAR 2011)) AND TE REVISION (E.G. REV. A)
Datumscode (Woche / Jahr, z.B. KW30/ Jahr 2011) und TE-Revision (z.B.Rev.A)
- 2 SUITABLE FOR PIN CONTACT SEE DRAWING: TE: 929453
Passend zu Stiftkontakt siehe Zeichnung: TE: 929453
- 3 DETAILS OF DESIGN ARE LEFT TO MANUFACTURER
Einzelheiten der Ausfuehrung bleiben dem Hersteller ueberlassen
- 4 FOR FLR-CONDUCTOR ACCORDING TO DIN 72551-6 ONLY
Nur fuer FLR-Leitung nach DIN 72551, Teil 6
- 5 NOT FOR NEW APPLICATION
nicht fuer Neuanwendung
- 6 Bei doppelt fallenden Werkzeugen wird die erste Ueberfeder mit einer Kennzeichnung "-" versehen
WITH DOUBLE OUT DIES THE FIRST SPRING WILL BE PROVIDED WITH AN INDICATION "-"



ODER NO. DESIGN	ODER NO. DESIGN	REV.	ODER NO. DESIGN	REV.	WIRE SIZE RANGE	SURFACE	LENGTH	WIRE CRIMP	INSU. CRIMP
Bestell-Nr. Ausfuehrung	Bestell-Nr. Ausfuehrung		Bestell-Nr. Ausfuehrung		DGB	Oberflaeche	Laenge	Drahtcrimp	Iso' crimp
2	3		1	5	mm ²		DIMENSIONS/ Abmessungen mm		
5-968221-6		A	968221-6	A	0.5-0.75	Ag	A = 2.8 B = 3.8 C = 5.6 D = 13.7	E = 2 G = 2 D _{Dr} = 1	H = 2.7 K = 2.9 L = 0.7 D _{Iso} = 1.6
5-968221-5		A	968221-5	C		Au			
5-968221-1		A	968221-1	C		Sn			
5-968220-6		A	968220-6	C	0.2-0.35	Ag	A = 2.5 B = 3.6 C = 5.6 D = 13.7	E = 1.8 G = 1.8 D _{Dr} = 0.8	H = 2.3 K = 2.3 L = 0.6 D _{Iso} = 1.4
5-968220-5		A	968220-5	C		Au			
5-968220-1		A	968220-1	C		Sn			
2208453-6		A			0.08-0.22	Ag	A = 2.5 B = 3.7 C = 5.4 D = 13.7	E = 1.6 G = 1.6	H = 2 K = 1.9 D _{Iso} = 1.1
2208453-5		A				Au			
2208453-1		A				Sn			

THIS DRAWING IS A CONTROLLED DOCUMENT.

DWN Abraham.G. 06AUG2003	TE Connectivity
CHK Kampmann.H. 07AUG2003	
APVD	NAME
PRODUCT SPEC	MQS CLEAN BODY
APPLICATION SPEC	Productgroup Drawing Socket Contact
114-18021	Produktgruppenzeichnung, Buchsenkontakt
WEIGHT	SIZE CAGE CODE DRAWING NO
-	A2100779 C-1355900
Customer Drawing	RESTRICTED TO
SCALE 10:1	SHEET 1 OF 1
	REV C 10