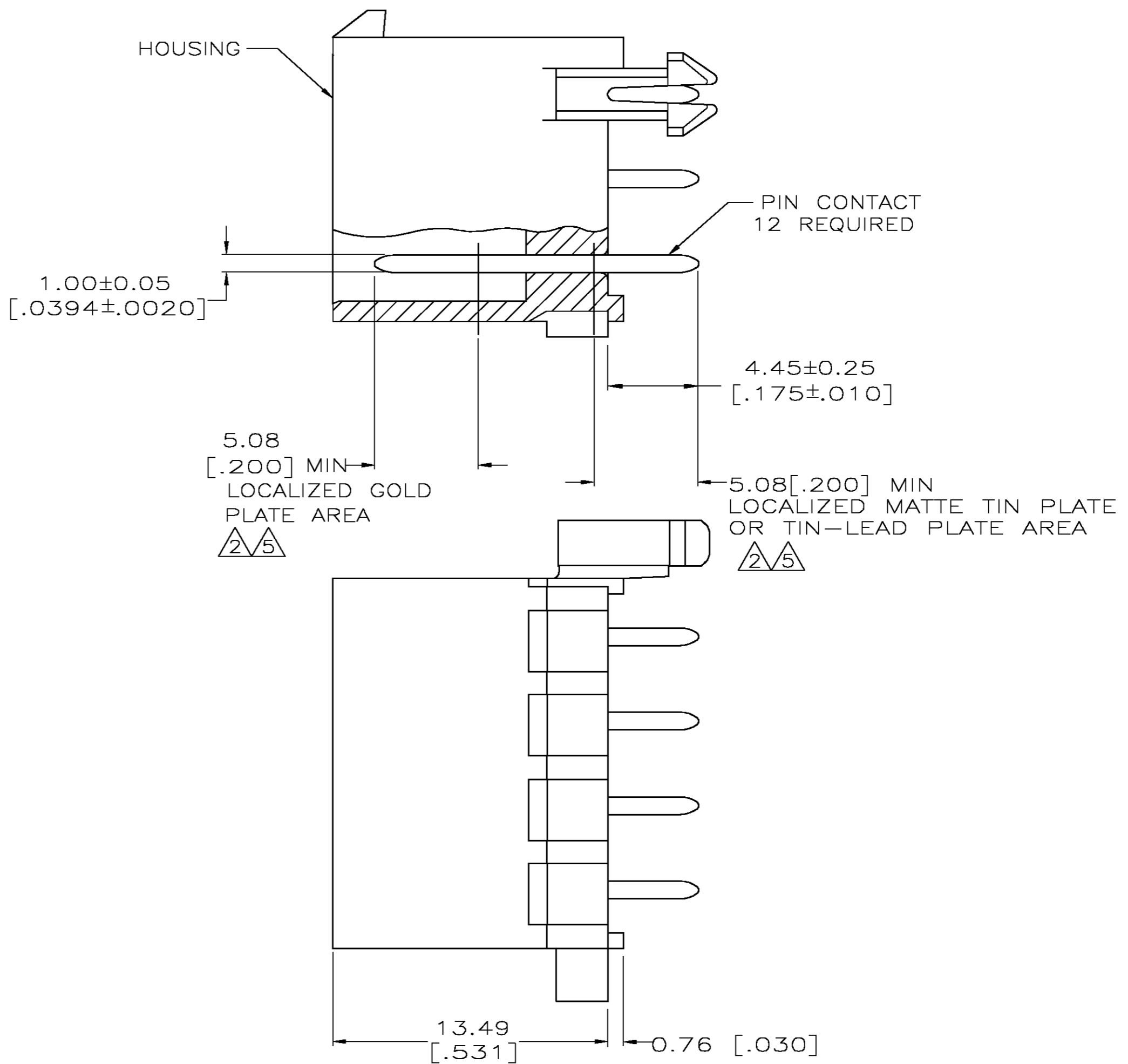
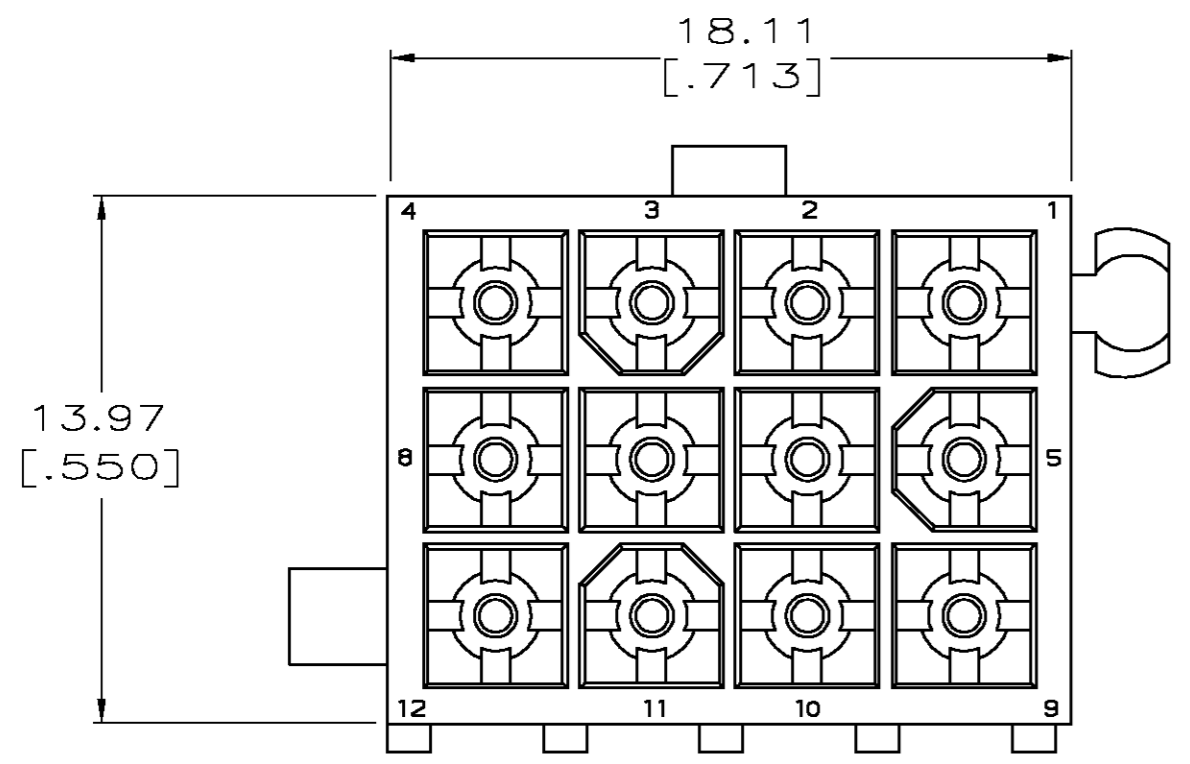
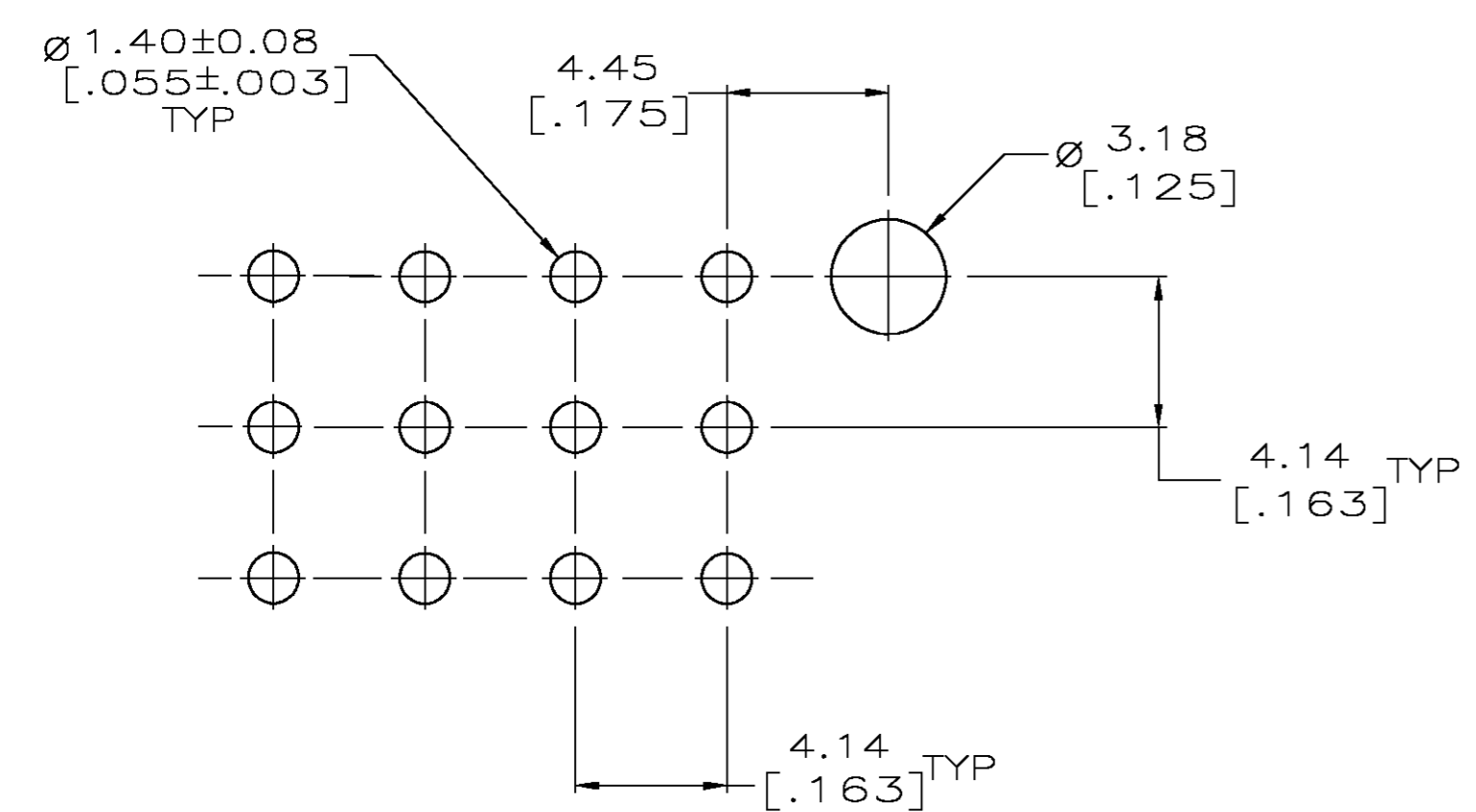


THIS DRAWING IS UNPUBLISHED. RELEASED FOR PUBLICATION  
 © COPYRIGHT BY TYCO ELECTRONICS CORPORATION. ALL RIGHTS RESERVED.

LOC		DIST		REVISIONS			
P	LTR	DESCRIPTION	DATE	DWN	APVD		
CM	0						
	C	REVISED PER 0G3B-0211-05	6/7/05	SS	RJ		



- PINS TO COMPLY WITH AMP SOLDERABILITY SPEC. 109-11-3.
- 0.00076 [.000030] MIN GOLD PLATE IN THE LOCALIZED PLATE AREA, 0.00381 [.000150] MATTE TIN LEAD IN THE LOCALIZED PLATE AREA, BOTH OVER 0.00127 [.000050] MIN NICKEL.
- DIMENSIONS IN BRACKETS ARE IN INCHES.
- 0.00381 [.000150] MATTE TIN LEAD OVER 0.00127 [.000050] MIN NICKEL ENTIRE LENGTH OF PIN.
- 0.00076 [.000030] MIN GOLD PLATE IN THE LOCALIZED GOLD PLATE AREA, 0.00381 [.000150] MATTE TIN IN THE LOCALIZED TIN PLATE AREA, BOTH OVER 0.00127 [.000050] MIN NICKEL.
- 0.00381 [.000150] MATTE TIN OVER 0.00127 [.000050] MIN NICKEL ENTIRE LENGTH OF PIN.



RECOMMENDED LAYOUT FOR 1.57 [.062] THICK BOARD  
 TOLERANCES NON-ACCUMULATIVE

BRASS, GOLD	5	NYLON, 94V-0, WHITE	1-794040-1
BRASS, TIN	6	NYLON, 94V-0, WHITE	1-794040-0
BRASS, GOLD	2	NYLON, 94V-0, WHITE	794040-2
BRASS, TIN	4	NYLON, 94V-0, WHITE	794040-1
PIN CONTACT MATERIAL AND FINISH		HOUSING MATERIAL AND COLOR	PART NO.

THIS DRAWING IS A CONTROLLED DOCUMENT.		DWN	2-8-94	Tyco Electronics Corporation Harrisburg, Pa 17105-3608
DIMENSIONS: mm [INCHES]		CHK	2-8-94	
TOLERANCES UNLESS OTHERWISE SPECIFIED:		NAME		
0 PLC	± -	PRODUCT SPEC		
1 PLC	± -	APPLICATION SPEC		
2 PLC	± 0.13	WEIGHT		
3 PLC	± -	SCALE		
4 PLC	± -	SHEET		
ANGLES	± -	REV		
FINISH	SEE TABLE	CUSTOMER DRAWING		

Tyco Electronics Corporation Harrisburg, Pa 17105-3608		NAME	
HEADER ASSEMBLY, CLOSED BOTTOM, 12 CIRCUIT, MINI-UNIVERSAL MATE-N-LOK		RESTRICTED TO	
SIZE	CAGE CODE	DRAWING NO	
A2	00779	C=794040	
SCALE		SHEET	
5:1		1 OF 1	